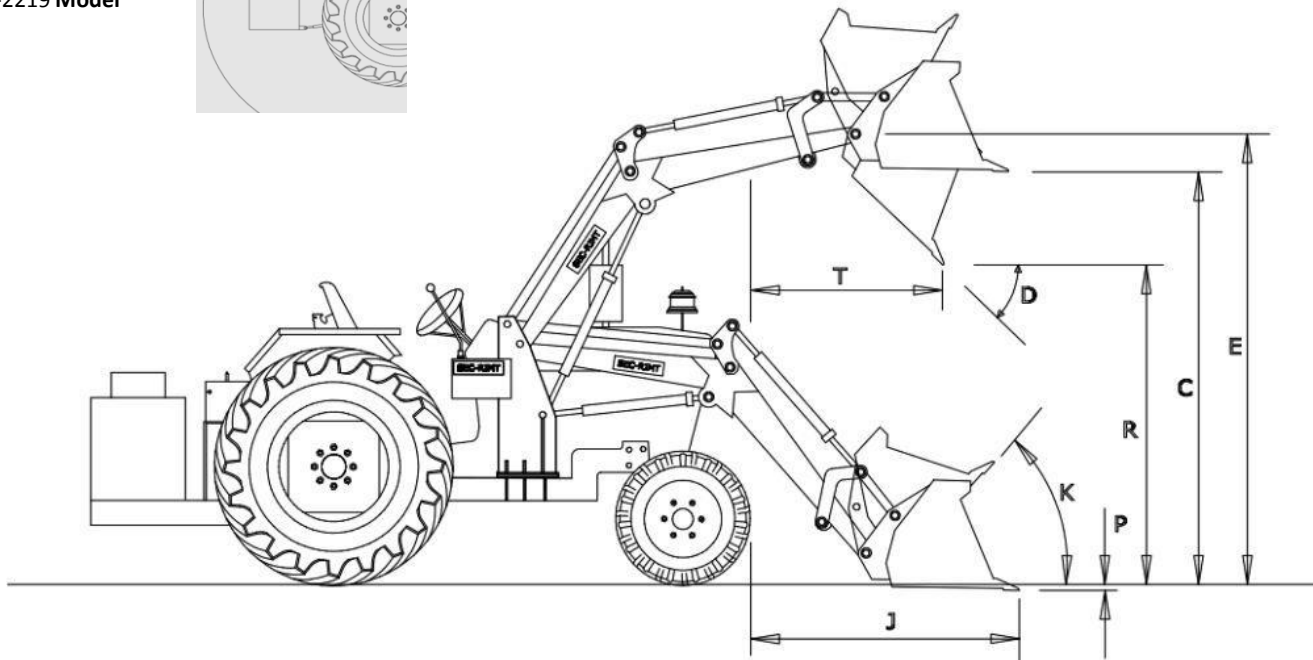
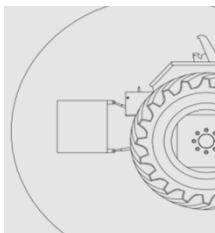


# LOADER S-2212 II , S-2219

## SPECIFICATION



Three point tractor lift mounted counter wt. available in S-2219 Model



### PERFORMANCE SPECIFICATIONS :-

SYMBOL	DESCRIPTION	S-2212II DIMENSION (MM/ ft'in")	S-2212II Hi-dump DIMENSION (MM/ ft'in")	S-2219 DIMENSION (MM/ ft' in")
E	loader arm Pin Height (Max)	3700/ 12'1"	3700/ 12'1"	3510/11'6"
C	Load Over Height	3420/11'3"	4298/14'1"	3300/10'10"
R	Dump Height	2930/9'7"	4200/13'9"	2700/8'10"
J	Reach At ground (depend upon tractor)	1510/4'11"	1510/4'11"	1500/14'10"
T	Reach At Full Dump(depend upon tractor)	680 /2'3"	759 /2'6"	680 /2'3"
P	Dig Dept	102 /4"	51/2"	102/4"
K	Roll Back At Ground	53°	57°	53°
D	Dump Angle	45°	45°	45°
	Bucket Rated Capacity (Inside length 1450/1750/1950 mm)	0.56 to 0.65 cu.m	0.65 cu.m	0.45 cu.m
	Safe Working Load	1000Kg	950kg	550 kg
	hydraulics	Independent	Independent	Tractor pump